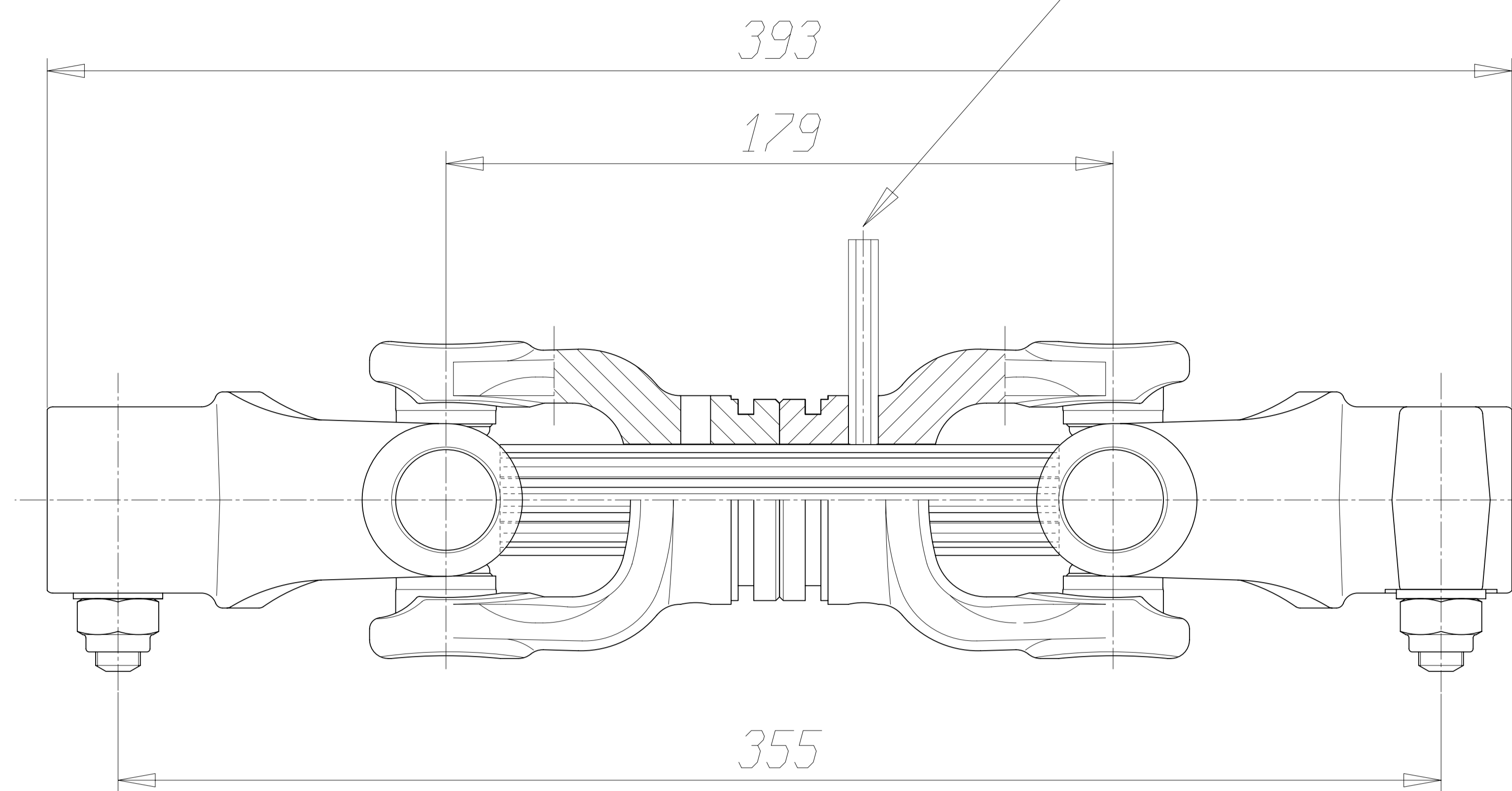
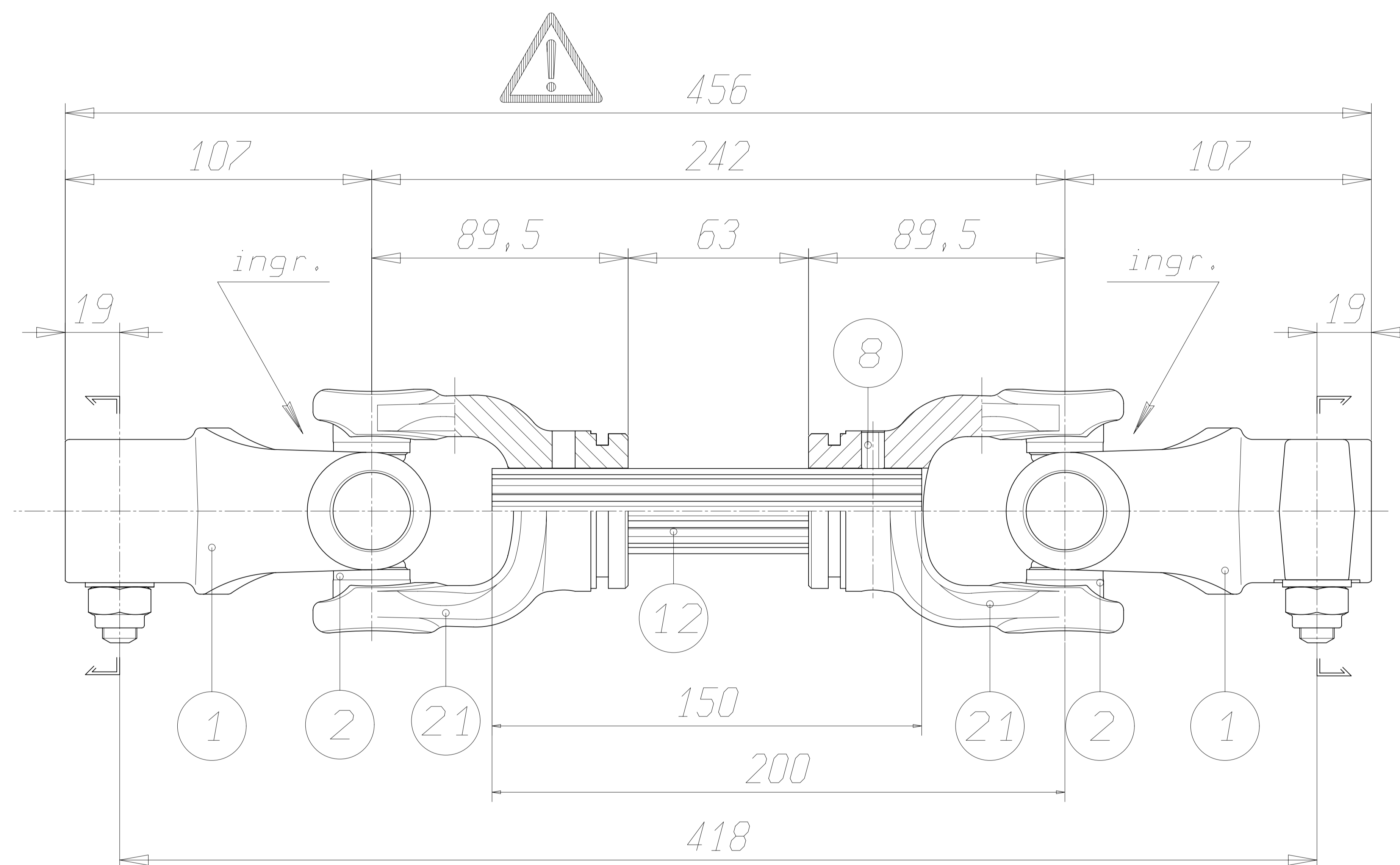


SPINA ELASTICA IMPOSTATA  
ROLL PIN INSERTED PART WAY

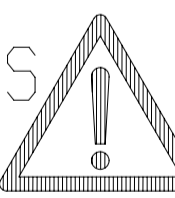



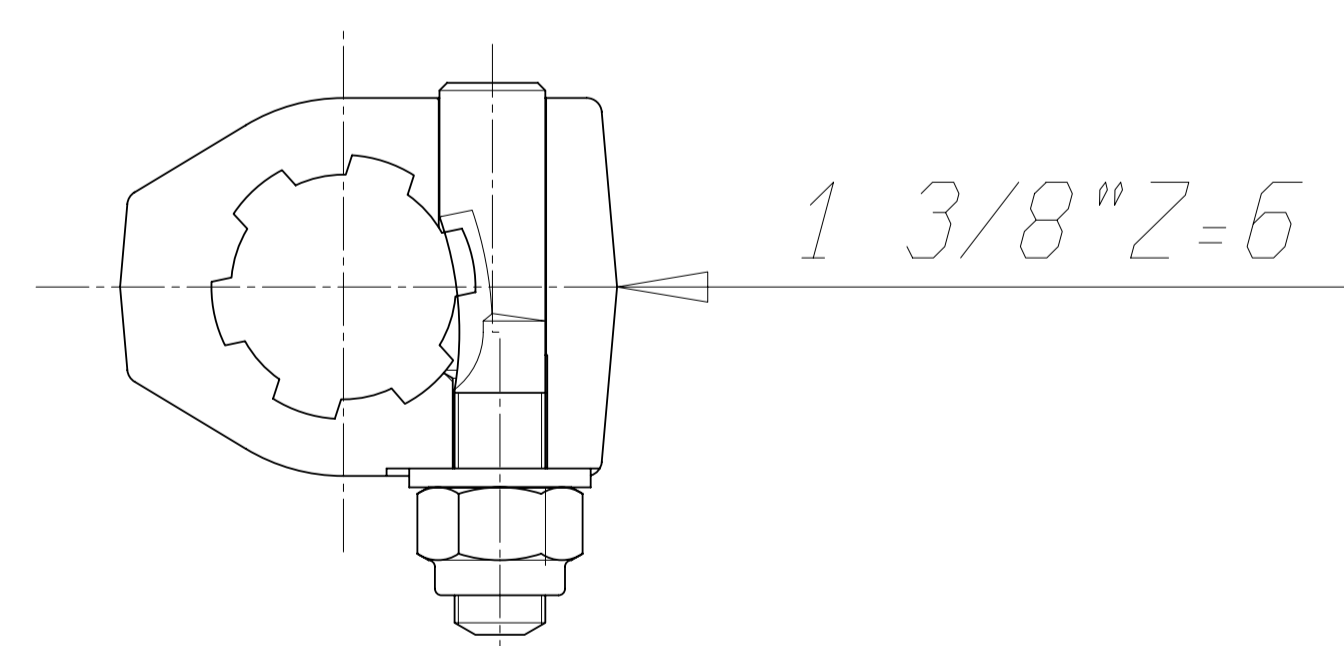
GIUNTI COLLEGATI CON FASCETTA 376000001  
JOINTS ASSEMBLED ON SPLINED BAR AND WIRED BY 376000001

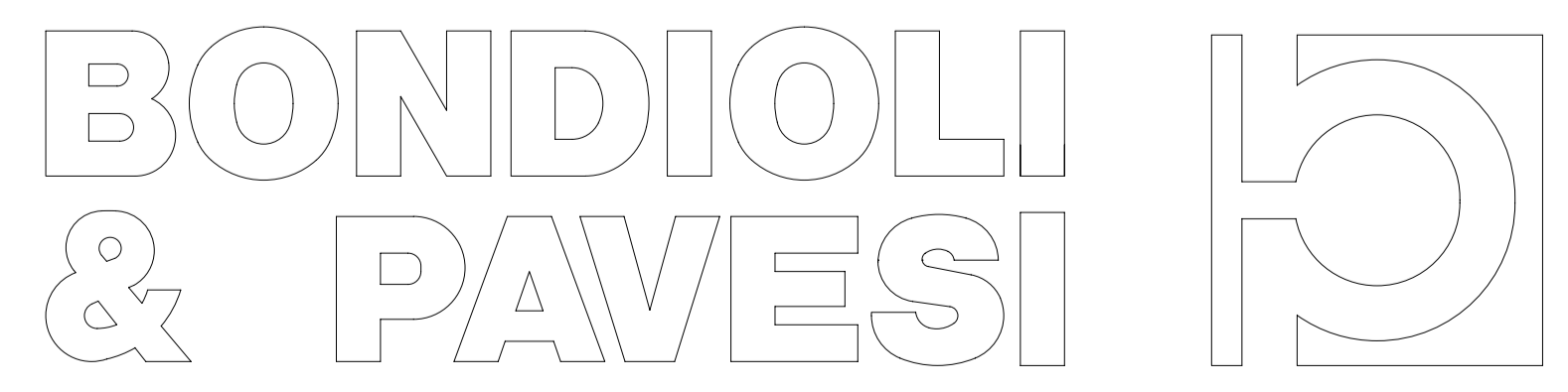
STATO DI FORNITURA  
SHIPPING ASSEMBLY



WARNING!

SECTIONS  OF THE ASSEMBLY MARKED  ARE NOT SHIELDED AND MUST BE SHIELDED BY AN INTERACTIVE GUARDING SYSTEM. BONDIOLI & PAVESI DECLINES RESPONSIBILITY IF PROPER GUARDS ARE NOT PROVIDED OR MAINTAINED.



TIPO-TYPE TYP	CLIENTE CLIENT CUSTOMER KUNDE	590 0060 RANAVERKEN AB	RIF. CLIENTE REF. CLIENT CUSTOMER REF. BEZUG KUNDE
404	TIPO DI MACCHINA TYPE DE MACHINE TYPE OF IMPLEMENT MASCHINENTYPE	SOSTITUISCE REPLACE REPLACES ERSETZT	DATA : 15/05/01
		GIRI : n= 540	VISTO : BRAGA
			SOSTITUISCE: 840402600000003
21	204043251	Forc. per scanalato	
12	249170150	Scanalato L.=150	
8	345013000R10	Spina elastica	
2	41204	Crociera ricambio	
1	509040362	Forc. Perno Conico	
Pos.	Cod. c.e.d.	Descrizione	Cod. C.E.D. 840402400000001
		STUDIO TR4040024002	